

**Warewashing  
Undercounter Dishwasher with  
Active, drain pump & detergent  
dispenser**

ITEM # \_\_\_\_\_

MODEL # \_\_\_\_\_

NAME # \_\_\_\_\_

SIS # \_\_\_\_\_

AIA # \_\_\_\_\_



502057 (ZUCAIDD)

720 plates/h, active undercounter dishwasher with drain pump and detergent dispenser

**Short Form Specification**

**Item No.** \_\_\_\_\_

304 AISI stainless steel front and side panels, door, wash tank, tank filters and wash and rinse arms. Double skinned construction. Double skinned, counterbalanced door. Wash tank with rounded corners. 3 wash cycles 90/120/240 seconds. Soft start wash pump to avoid accidental breakage of dishes/glasses. Washing system with rotating washing arms, large capacity wash pump and tank volume. Built-in atmospheric boiler (4,5 Kw), 12 liter capacity, with rinse pump to guarantee a constant hot rinse temperature of 84°C. Guaranteed Rinse System (ACTIVE) assures the correct water temperature and pressure during the rinse phase to guarantee a perfect rinsing performance independent from the water pressure in the network (min. 0,5 bar). Boiler with 304L welding for protection against corrosion. Automatic boiler emptying function. Drain pump. Electronic controls with temperature display. External connecting box protected by a waterproof plastic cover. High efficiency air gap (class A) in water inlet circuit to avoid water being syphoned back into the network as a result of a sudden drop in mains pressure. Fault auto-diagnosis system. Pre-arrangements for HACCP system implementation and energy Management device. Self-cleaning cycle. Rinse aid dispenser. Detergent dispenser.  
Hourly capacity: 720 dishes/40 baskets mm500x500.  
Supplied with: n. 1 basket for plates, n. 1 basket for cups and n. 2 cutlery holders.

**Main Features**

- Built-in atmospheric boiler sized to raise incoming 50 ° C water to 84 ° C minimum for sanitizing rinse. No external booster is required.
- Constant temperature of 84 ° C throughout the rinsing cycle regardless of the network's water pressure and temperature.
- Unique temperature interlock guarantees required temperatures in both the wash and final rinse.
- Washing capacity of 40 baskets or 720 dishes per hour.
- 90/120/240 seconds cycle.
- Incorporated Soft Start feature to offer additional protection to more delicate items.
- High efficiency air gap (class A) in water inlet circuit to avoid water being siphoned back into the network as a result of a sudden drop in main pressures.
- 4 second (variable) pause after washing and before rinsing ensures that no drops of unclean water will fall on the clean items at the end of the rinsing cycle.
- Fault auto-diagnosis system.
- An effective rinse system uses only 3 litres of clean hot water per basket for lower running costs.
- Double skinned insulated wall ensures a low noise level and a reduction in heat loss from the machine.
- Utilizes fresh hot rinse water.
- Unique strainer to enhance soil filtering.
- Three phase or single phase electrical connection, convertible on-site.
- Built-in rinse aid and detergent dispenser with automatic initial and continuous cycle loading for perfect result while minimizing service and maintenance needs.
- Low noise level.
- IPX 4 water protection.
- State-of-the-art electronic controls with built-in programming, self-diagnostics for serviceability and automatic interior self-cleaning cycle.
- Digital read-out keeps operator informed as to temperatures.
- Green light of Guaranteed Rinse System (ACTIVE) confirms that items have been rinsed properly.

**Construction**

- Incorporated drain pump to control water level in wash tank draining.
- Heavy duty Stainless steel construction.
- Internal cavity as well as exterior panels are all 304 series Stainless steel.
- Special designed Stainless steel nozzles provide superior cleaning action.
- Revolving Stainless steel wash/rinse arms above and below the basket.
- Interchangeable wash/rinse arms screw out for simple clean up.

APPROVAL: \_\_\_\_\_

- Large deep drawn wash tank and internal wash area with round corners and no pipes to avoid dirt built-up.
- Element protection from dry fire and low water.
- The boiler drain facilitates the evacuation of stagnant water after long periods of inactivity to ensure a higher level of hygiene.

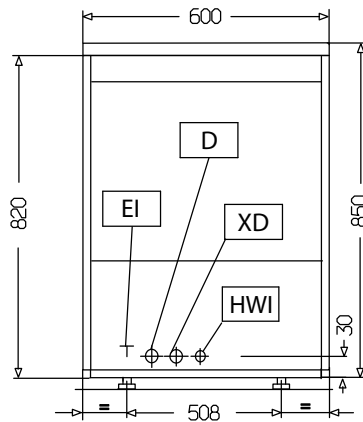
### Included Accessories

- 2 of Yellow cutlery container PNC 864242
- 1 of Basket for 18 dinner plates or 27 side plates (max. diam. 240 mm) PNC 867002
- 1 of Basket for cups and coffee cups (24-48 pcs) - blue PNC 867007

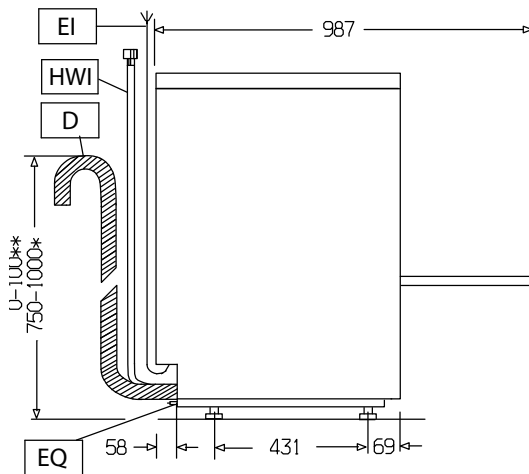
### Optional Accessories

- External manual water softener - 12 lt PNC 860412
- External automatic water softener - 8 lt PNC 860413
- Stand for undercounter dishwasher PNC 860418
- External manual water softener - 20 lt PNC 860430
- Brass inlet valve kit for undercounter and hood type dishwashers PNC 864000
- Integrated HACCP kit for dishwashers PNC 864001
- External detergent level probe kit PNC 864004
- External rinse aid level probe kit PNC 864005
- Kit of 4 castors for double skinned undercounter dishwasher PNC 864008
- KIT 4 FLANGED FEET (MARINE FEET) FOR UC DW PNC 864009
- Stainless steel inlet hose kit PNC 864016
- Filter for partial demineralization PNC 864017
- Kit to measure total/partial water hardness PNC 864050
- Yellow cutlery container PNC 864242
- Aisi 304 stainless steel back panel for top level undercounter PNC 864298
- Filter for total demineralization PNC 864367
- Reverse osmosis filter for single tank dishwasher with atmosphere boiler PNC 864388
- Pressure reducer for single tank dishwasher PNC 864461
- Half size basket universal PNC 864527
- Half size basket for plates PNC 864528
- Half size basket for glasses PNC 864529
- Set of 4 yellow cutlery containers PNC 865574
- Basket for 18 dinner plates or 27 side plates (max. diam. 240 mm) PNC 867002
- Basket for 5 trays 530x325 mm - red, for undercounter (top level), utensil dishwashers, hood type, rack type PNC 867006
- Basket for cups and coffee cups (24-48 pcs) - blue PNC 867007
- Basket for 12 pizza plates diam. up to 320 mm, wire basket PNC 867014
- Cover grid for small/light items in rack PNC 867016
- Basket for long stem wine glasses PNC 867019
- Basket for 16 glasses max. height: 70 mm - blue PNC 867023
- Basket semi-professional (500x500x190mm) PNC 867024

**Front**

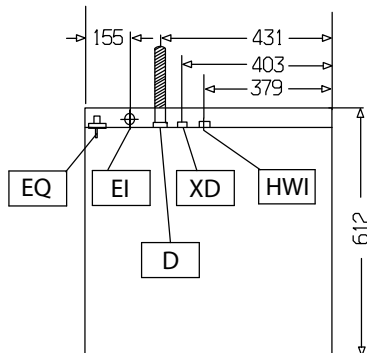


**Side**



- D** = Drain
- EI** = Electrical inlet (power)
- EO** = Electrical Outlet
- HWI** = Hot water inlet
- XD** = Detergent connection
- XR** = Rinse aid connection

**Top**



**Electric**

<b>Supply voltage:</b>	
502057 (ZUCAIDD)	400 V/3N ph/50 Hz
<b>Convertible to:</b>	230V 3~; 230V 1N~
<b>Default Installed Power:</b>	5.35 kW
<b>Tank heating elements:</b>	2 kW
<b>Wash pump power:</b>	0.736 kW

**Water:**

<b>Water supply temperature*:</b>	50 °C
<b>Drain line size:</b>	40 mm
<b>Inlet Water supply pressure:</b>	7 - 102 psi (0.5 - 7 bar)
<b>Water consumption per cycle (lt)**:</b>	3
<b>Working cycles time (sec.):</b>	90/120/240
<b>Boiler Capacity (lt):</b>	12
<b>Tank Capacity (lt):</b>	23
<b>Washing tank capacity (lt):</b>	23
<b>Washing cycle electrical elements:</b>	2 kW
<b>Hot rinse cycle duration (sec.):</b>	12
<b>Min hot rinse water consumption (lt/cycle)**:</b>	3

**Key Information:**

<b>Baskets per hour*:</b>	40
<b>N° of working cycles - sec.:</b>	3 (90/120/240)
<b>Cell dimensions - width:</b>	500 mm
<b>Cell dimensions - depth:</b>	500 mm
<b>Cell dimensions - height:</b>	335 mm
<b>Dishes per hour:</b>	720
<b>Wash temperature:</b>	55-65°C
<b>Rinse temperature:</b>	84 °C
<b>External dimensions, Width:</b>	600 mm
<b>External dimensions, Height:</b>	850 mm
<b>External dimensions, Depth:</b>	612 mm
<b>Noise level:</b>	<65 dBA
<b>Boiler type:</b>	Atmospheric
<b>Dishes capacity:</b>	720/hr
<b>Basket capacity:</b>	40/h
<b>Washing cycle temperature:</b>	55-65 °C
<b>Hot rinse cycle temperature:</b>	84 °C